

## QM-HEIGHT SERIES

HIGH-PERFORMANCE HEIGHT GAGE

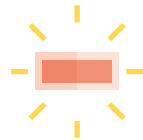
SMALL TOOL INSTRUMENTS  
AND DATA MANAGEMENT



# High-Performance Height Gage QM-Height Series

- Best-in-class accuracy  $\pm(2,4+2,1L/600)$   $\mu\text{m}$
- **Built-in air-suspension feature** using an internal pump enables smooth movement over a surface plate. (Lower-cost version without air suspension also available)
- Easy-to-view, simple control panel enables most measurements to be made with a single keystroke.
- Eco-friendly product, operable for approximately 1200 hours with four AA alkaline batteries. (Four commercially available nickel hydride batteries can also be used.)
- By installing the U-WAVE-T measurement data wireless communication system or USB communication driver in your PC, the optional functions that enhance operability, including output of measurement data to your PC, become available.

The USB communication driver can be downloaded from the Mitutoyo website. (Communication software is separately required.): [https://mitutoyo.eu/en\\_us/downloads/software-and-updates](https://mitutoyo.eu/en_us/downloads/software-and-updates)



## GO/ $\pm$ NG judgment by LED and display symbols

- LEDs indicate tolerance judgment status – green for GO, red for +NG, and orange for -NG. Status is also indicated by corresponding symbols appearing on the display.



## Simple button layout and easy-to-understand pictorial keys

- The pictographs are for frequently-used keys.
- Cross-keys based on human engineering concepts are used to achieve better operability.



## Inside/outside diameters, maximum/minimum heights and displacement can be measured using a standard probe

- Besides height measurement, Mitutoyo's proprietary mechanism and firmware enables scanning measurement of inside/outside diameters, maximum/minimum heights, and height differences.



ID measurement



OD measurement



"d2" is a generic term given to Digimatic output that supports up to eight input/output digits.

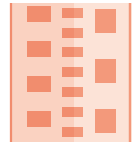
QM-Height measures height, height difference (step), inside/outside widths, inside/outside diameters, circle pitch and also free-form surface maximum/minimum heights and height difference by scanning measurement\*.

QM-Height also remembers the immediately preceding measurement and displays the difference between results.

\*Scanning measurement stroke is approx. 1 mm above and below from the start point of measurement.

## No need to set the origin after turning on the power

- The electromagnetic induction type ABSOLUTE encoder maintains the origin. Therefore origin setting when turning on the power is not required.  
(Except when there is a considerable environmental change.)



## External output

- Digimatic and USB ports are provided as standard. Using the U-WAVE-T measurement data wireless communication system enables instant transmission of measurement data to a PC via wireless communication, which reduces manual input errors and improves data reliability and operational efficiency.



To install U-WAVE-T, separately purchase the optional mounting plate (02AZE990).



## Power supply

- Four alkaline AA/LR6 batteries (standard accessories)
- Also operates on four NiMH AA rechargeable batteries
- AC adapter (optional accessory)



## Probe elevation wheel

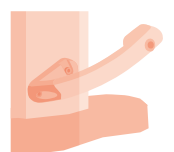
- Used for measurement, allowing fine or coarse adjustment of probe height.



## Air-suspension feature

- Pressing a button on the grip activates the internal air pump. The base rises on a cushion of air and is able to be moved smoothly over the surface plate.

Note: Measurements should not be made while this function is in use as it will cause measurement error.

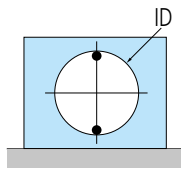


# Measurement examples

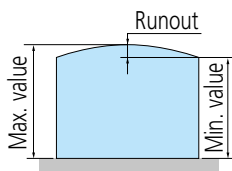
Height measurement



ID measurement



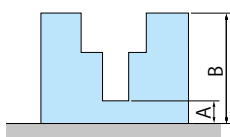
Runout measurement



After scanning the surface, the runout will be shown in the display as (Max. value - Min. value)



### Height difference measurement (1)



Height A and height B from the surface plate will be displayed.



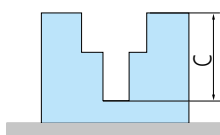
Height A



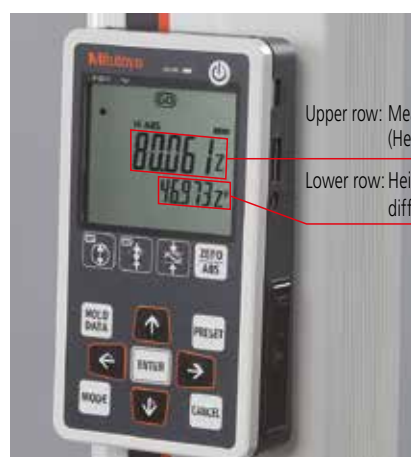
Height B



### Height difference measurement (2)



After measuring heights A and B, the height difference C between them can be shown in the lower row of the display.



Upper row: Meas. value  
(Height or Dia.)  
Lower row: Height  
difference C



# Centralized Data Management

Misinput due to manual input can be eliminated, and therefore operational efficiency is dramatically improved.

## 600 mm stroke type

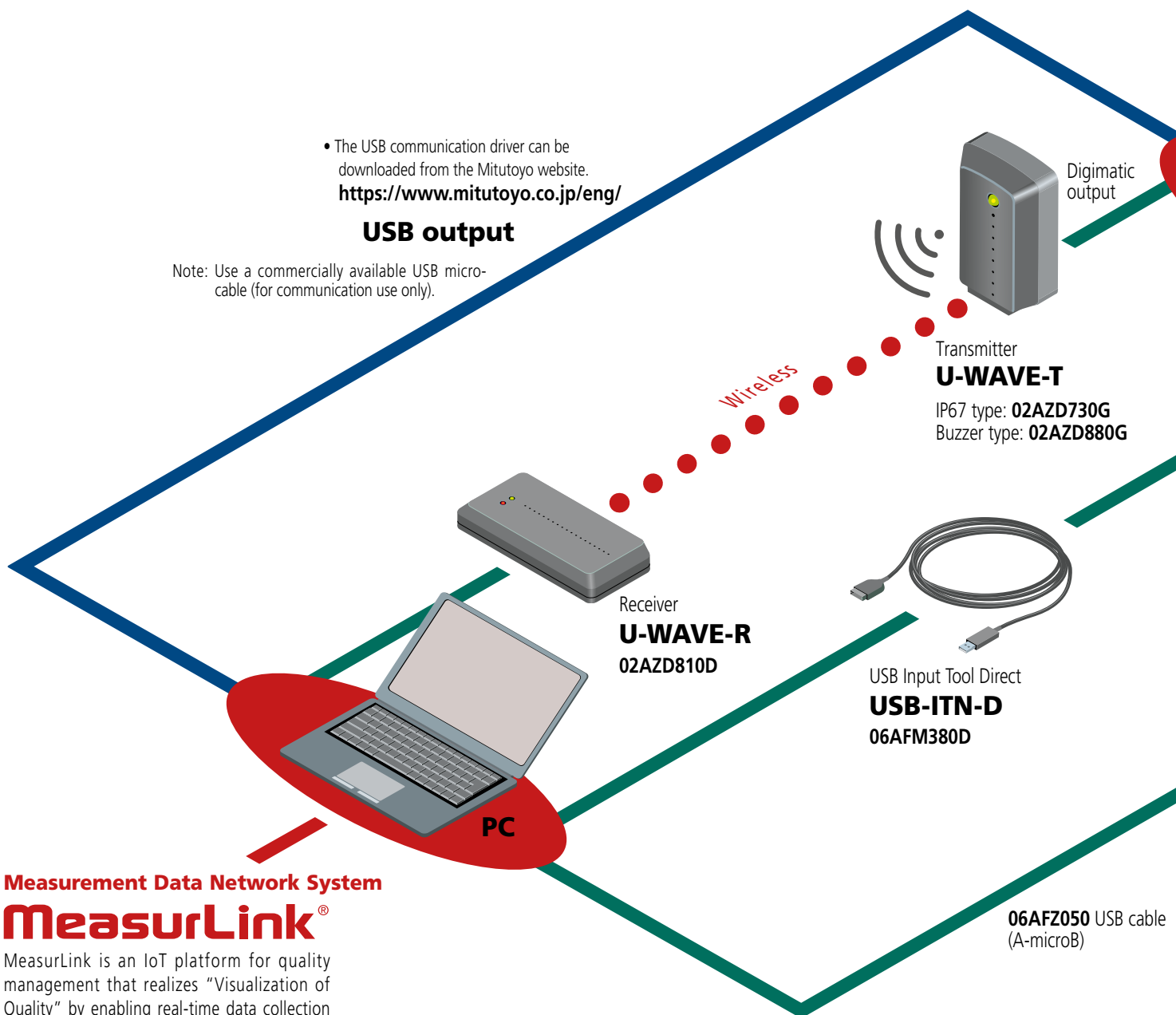
Without air-suspension: 518-242, 518-243

With air-suspension: 518-246, 518-247

- The USB communication driver can be downloaded from the Mitutoyo website.  
<https://www.mitutoyo.co.jp/eng/>

### USB output

Note: Use a commercially available USB micro-cable (for communication use only).



## Measurement Data Network System

# MeasurLink®

MeasurLink is an IoT platform for quality management that realizes "Visualization of Quality" by enabling real-time data collection from the networked Digimatic gages and global control and analysis.

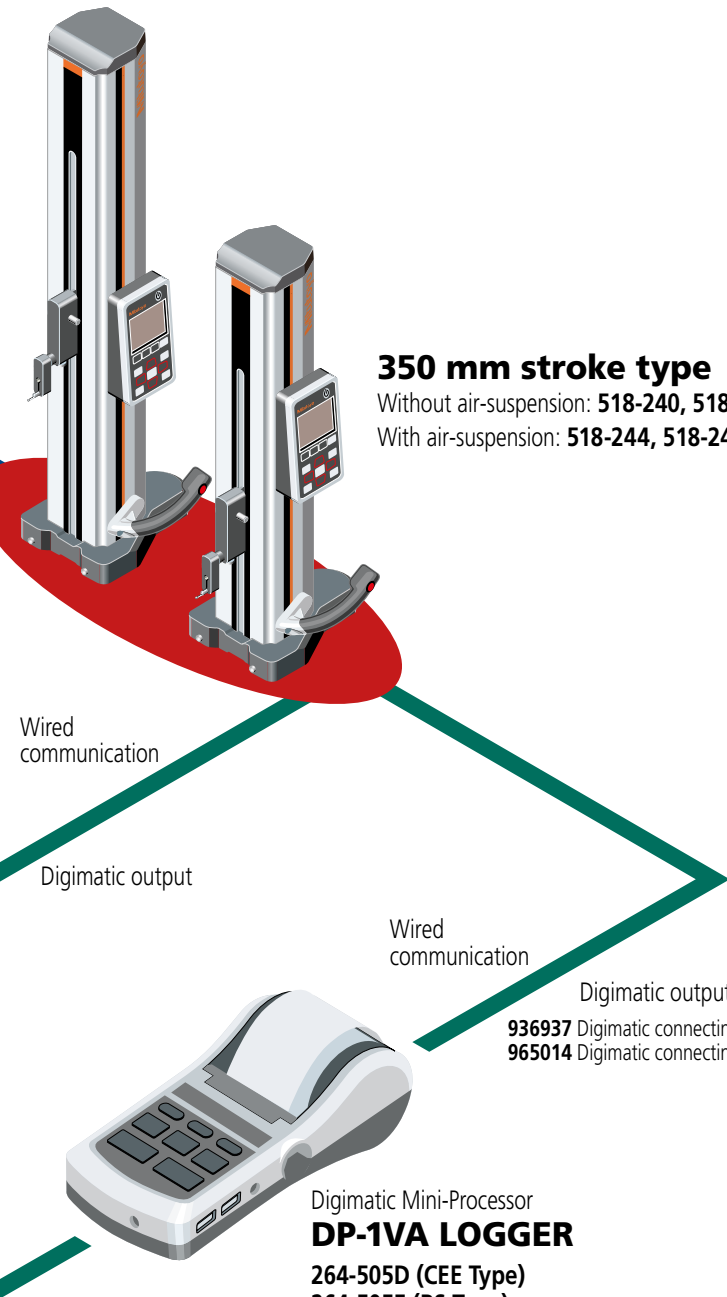
MeasurLink® is a registered trademark of Mitutoyo Corporation in Japan and Mitutoyo America Corporation in the United States.



**350 mm stroke type**

Without air-suspension: **518-240, 518-241**

With air-suspension: **518-244, 518-245**



Digimatic Mini-Processor  
**DP-1VA LOGGER**  
**264-505D (CEE Type)**  
**264-505E (BS Type)**

Equipped with the data logger function able to store up to 1000 records of measurement data.

Optional parts that enable centralized data management

Order No.	Item name
Small printer equipped with Data Logger	
<b>264-505D (CEE Type)</b> <b>264-505E (BS Type)</b>	<b>DP-1VA LOGGER</b>
<b>936937</b>	Digimatic connecting cable (1 m)
<b>965014</b>	Digimatic connecting cable (2 m)
<b>06AFZ050</b>	USB cable (A-microB)
Measurement Data Input Unit	
<b>06AFM380D</b>	USB Input Tool Direct <b>USB-ITN-D</b>
Measurement data wireless communication system	
<b>02AZD730G</b>	<b>U-WAVE-T</b> (Transmission unit) (IP67 type)
<b>02AZD880G</b>	<b>U-WAVE-T</b> (Transmission unit) (Buzzer type)
<b>02AZD790D</b>	<b>U-WAVE-T</b> dedicated cable (Standard use)
<b>02AZE140D</b>	<b>U-WAVE-T</b> dedicated cable (For foot switch)
<b>02AZD810D</b>	<b>U-WAVE-R</b> receiver
<b>02AZE990</b>	<b>U-WAVE</b> mounting plate
Measurement data collection software for Excel <b>USB-IT PAK V2.1</b>	
Measurement data network system <b>MeasurLink</b>	

## Contact points for a wide range of measurements (Refer to page 8.)

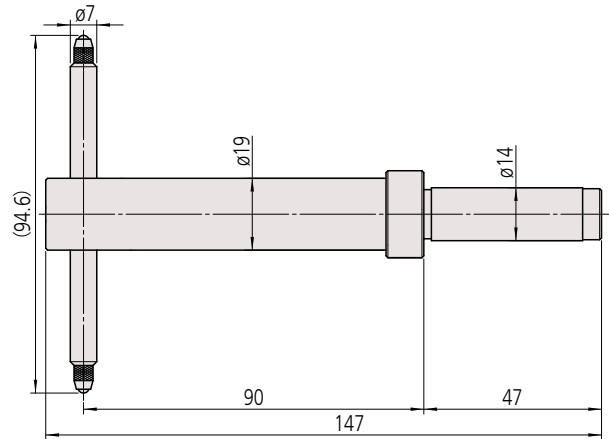
No.	Order No.	Item description
Depth probe		
(1)	<b>12AAC072</b>	Depth probe
Interchangeable contact points for $\varnothing 5$ stepped probe		
(2)	<b>957261</b>	$\varnothing 2$ mm ball (coaxial type)
(3)	<b>957262</b>	$\varnothing 3$ mm ball (coaxial type)
(4)	<b>957263</b>	$\varnothing 4$ mm ball (coaxial type)
(5)	<b>957264</b>	$\varnothing 14$ mm disk
(6)	<b>957265</b>	$\varnothing 20$ mm disk
(7)	<b>12AAA788</b>	$\varnothing 4$ mm ball (eccentric type)
(8)	<b>12AAA789</b>	$\varnothing 6$ mm ball (eccentric type)
Special holder		
(9)	<b>12AAA792</b>	Holder for dial indicator
(10)	<b>12AAA793</b>	Holder (Long)
AC Adapter		
	<b>06AFZ950JA</b>	AD620JA for Japan/U.S.
	<b>06AFZ950D</b>	AD620D for the EU
	<b>06AFZ950E</b>	AD620E for the UK
	<b>06AFZ950K</b>	AD620K for Korea
	<b>06AEG180DC</b>	AD620DC for China
Others		
	<b>05HZA143</b>	9x9 mm adapter (clamp underneath is required)
	<b>05GZA033</b>	Clamp (for 9x9 mm adapter)
	<b>05HZA144</b>	6,35x12,7 mm adapter (clamp underneath is required)
	<b>901385</b>	Clamp (for 6,35x12,7 mm adapter)
	<b>05HZA173</b>	Scriber*

Note: A gauge block may be required for the zero-setting depending on the probe or contact point to be used.

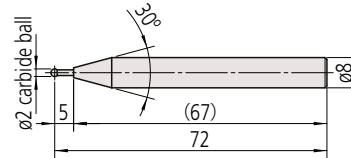
\* Used for measurements, cannot be used for scribing.

## Contact points for a wide range of measurements

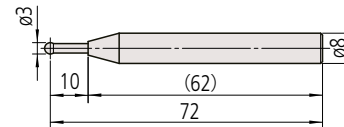
1) **12AAC072**  
Depth probe



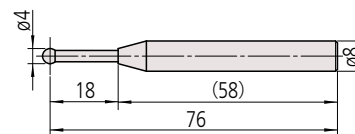
2) **957261**  
 $\varnothing 2$  mm ball (coaxial type)



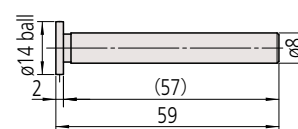
3) **957262**  
 $\varnothing 3$  mm ball (coaxial type)



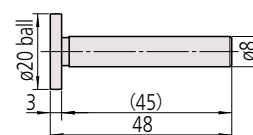
4) **957263**  
 $\varnothing 4$  mm ball (coaxial type)



5) **957264**  
 $\varnothing 14$  mm disk



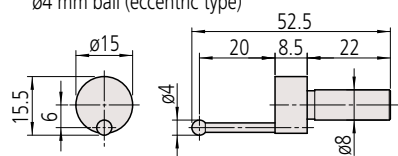
6) **957265**  
 $\varnothing 20$  mm disk



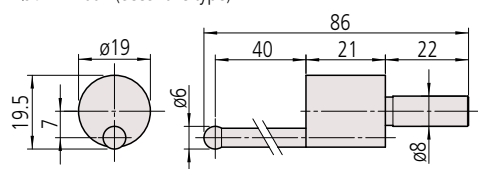




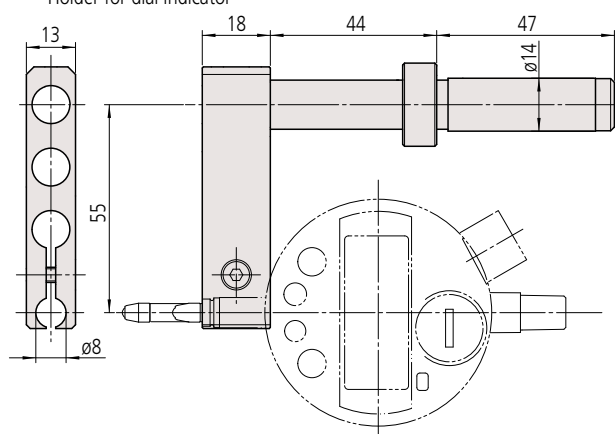
7) **12AAA788**  
 $\varnothing 4$  mm ball (eccentric type)



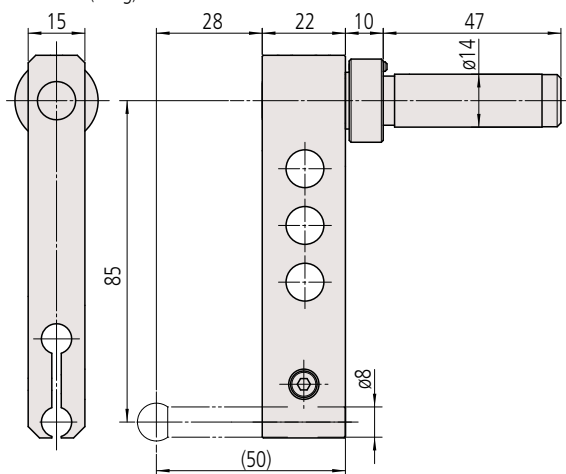
8) **12AAA789**  
 $\varnothing 6$  mm ball (eccentric type)



9) **12AAA792**  
 Holder for dial indicator



10) **12AAA793**  
 Holder (Long)



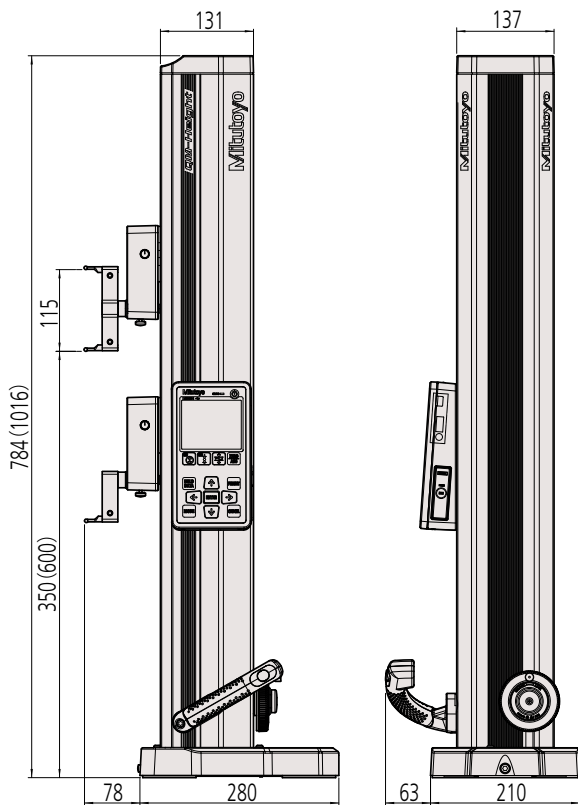


518-246



518-244

## Dimensions



Unit: mm

( ): Range 0-600 mm / 0-24 in

## Standard accessories

Order No. Item

12AAA715 Probe diameter calibration block

05HZA148  $\varnothing$ 5 mm stepped probe

— Alkaline batteries x 4 (AA/LR6)

## Specifications

Order No.	Metric	518-240	518-242	518-244	518-246
	Inch/Metric	518-241	518-243	518-245	518-247
<b>Measuring range (Stroke)</b>		0-465 mm (350 mm / 14 in)	0-715 mm (600 mm / 24 in)	0-465 mm (350 mm / 14 in)	0-715 mm (600 mm / 24 in)
<b>Resolution</b>	<b>Metric</b>	0,001/0,005 mm			
	<b>Inch/Metric</b>	0,001/0,005 mm 0,00005/0,0001/0,0002 in			
<b>Accuracy at 20 °C</b>	<b>Measurement*<sup>1</sup></b>	± (2,4 + 2,1L/600) µm			
	<b>Repeatability*<sup>1</sup></b>	2σ ≤ 1,8 µm			
<b>Perpendicularity*<sup>2</sup> (20 °C)</b>		7 µm	12 µm	7 µm	12 µm
<b>Guiding method</b>		Roller bearing			
<b>Drive method</b>		Manual (wheel)			
<b>Measurement principle</b>		Electromagnetic induction absolute encoder			
<b>Measuring force</b>		1,5±0,5 N			
<b>Data output ports</b>		Digimatic / Digimatic 2 / USB* <sup>3</sup>			
<b>Air-suspension feature</b>		Not included		Included (for positioning only)* <sup>4</sup>	
<b>Power supply</b>		Alkaline AA /LR6 batteries x 4 (standard accessories) / AC adapter (optional accessory)* <sup>5</sup> / Supports NiMH (HR6) rechargeable batteries x 4			
<b>Battery life guidelines*<sup>6</sup></b>		Approx. 1200 hours (without using the air-suspension feature )			
		Approx. 90 hours (when using the air-suspension feature )			
<b>Mass</b>		25 kg	29 kg	26 kg	30 kg
<b>Size (mm)</b>		Stroke 350 mm type: 280(W) x 273(D) x 784(H) mm Stroke 600 mm type: 280(W) x 273(D) x 1016(H) mm			
<b>Operating temperature range (recommended)</b>		0 to 40 °C (10 to 30 °C)			
<b>Operating humidity range</b>		20 to 80 % RH (non-condensing)			
<b>Storage temperature range</b>		-10 °C to 50 °C			
<b>Storage humidity range</b>		5 to 90 % RH (non-condensing)			

\*1 The indication accuracy and repeatability represent the values obtained from the height measurement of a flat surface using the standard holder with ø5 ball contact point. In the case of diameter, minimum (maximum) value, circle pitch or difference measurement, measuring errors may be larger than the accuracy ratings listed in the table due to variations in measuring force during a scanning measurement, which differs from height measurement.

\*2 Indicates the value obtained from the measurement of a straight surface placed perpendicular to the the base reference surface using the Lever Head (MLH-521) and Mu-checker (M-551).

\*3 Requires special communication driver and software. Consult your local Mitutoyo Sales Office for details. These can be downloaded from the Mitutoyo web site: [https://mitutoyo.eu/en\\_us/downloads/software-and-updates](https://mitutoyo.eu/en_us/downloads/software-and-updates)

\*4 When using a model with the air-suspension feature, it is advisable to use a Grade 1, or higher, surface plate. Using on surfaces with scratches or unevenness may prevent the system operating to the specified performance.

\*5 The AC adapter cannot be used to recharge rechargeable batteries.

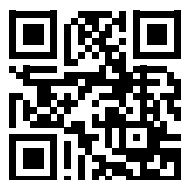
\*6 Battery life depends on the operating conditions. In particular, it is more economical to use the optional AC adapter to power the instrument if the application requires prolonged use of the air-suspension feature.



**Whatever your challenges are,  
Mitutoyo supports you from start to finish.**

Mitutoyo is not only a manufacturer of top quality measuring products but one that also offers qualified support for the lifetime of the equipment, backed up by comprehensive services that ensure your staff can make the very best use of the investment.

Apart from the basics of calibration and repair, Mitutoyo offers product and metrology training, as well as IT support for the sophisticated software used in modern measuring technology. We can also design, build, test and deliver bespoke measuring solutions and even, if deemed cost-effective, take your critical measurement challenges in-house on a sub-contract basis.



**Find additional product literature  
and our product catalogue**

[www.mitutoyo.eu](http://www.mitutoyo.eu)

**Note:** Product illustrations are without obligation. Product descriptions, in particular any and all technical specifications, are only binding when explicitly agreed upon.  
MITUTOYO and MiCAT are either registered trademarks or trademarks of Mitutoyo Corp. in Japan and/or other countries/regions.  
Other product, company and brand names mentioned herein are for identification purposes only and may be the trademarks of their respective holders.

**Mitutoyo**

**Mitutoyo Europe GmbH**

Borsigstraße 8-10  
41469 Neuss

Tel. +49 (0) 2137-102-0  
Fax +49 (0) 2137-102-351

info@mitutoyo.eu  
www.mitutoyo.eu